



Gaither[®]
PROFESSIONAL EQUIPMENT

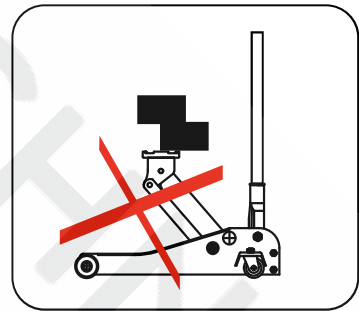
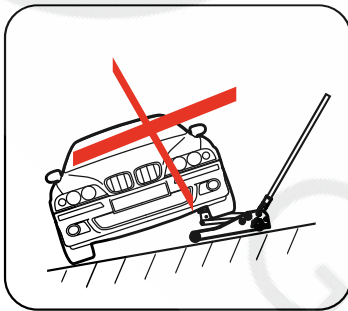
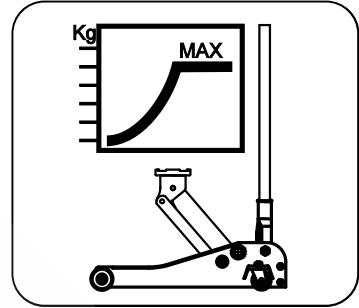
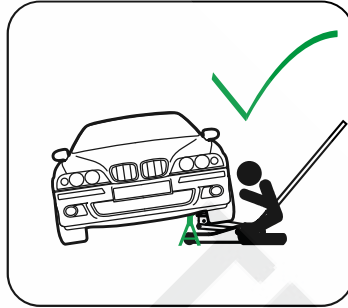
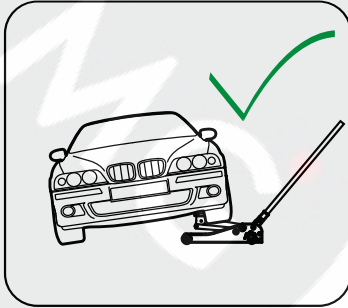
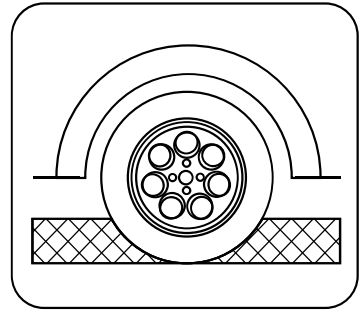
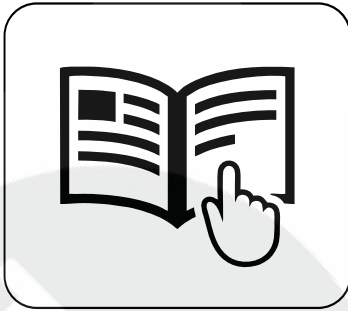
**REACHING
FOR NEW
HEIGHTS!**



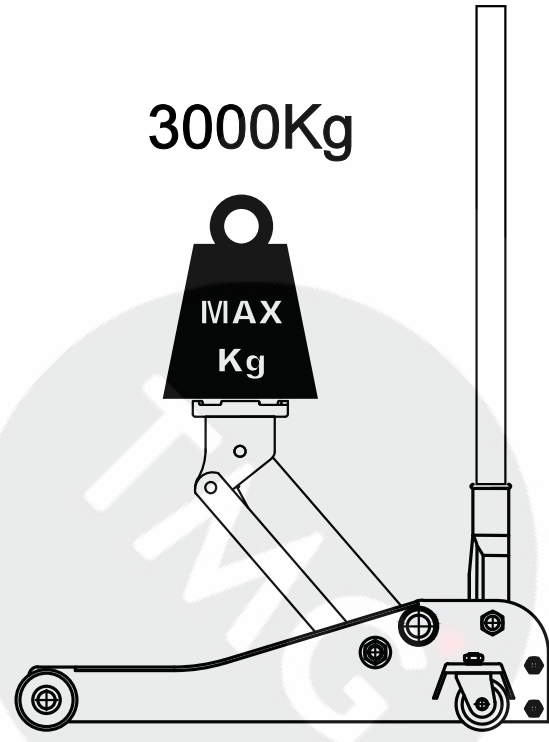
INSTRUCTIONS FOR
GT3.0



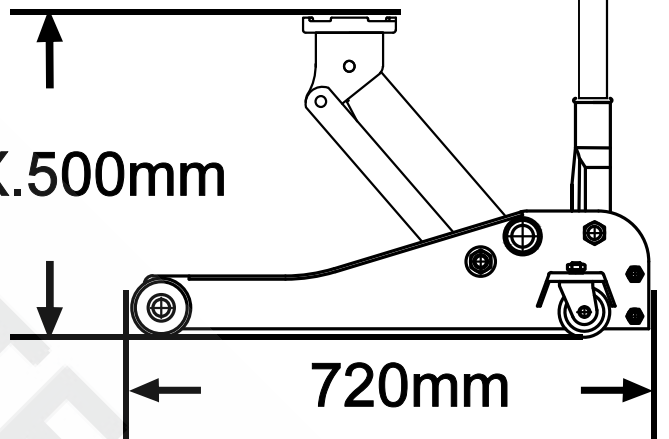
WARNINGS



3000Kg



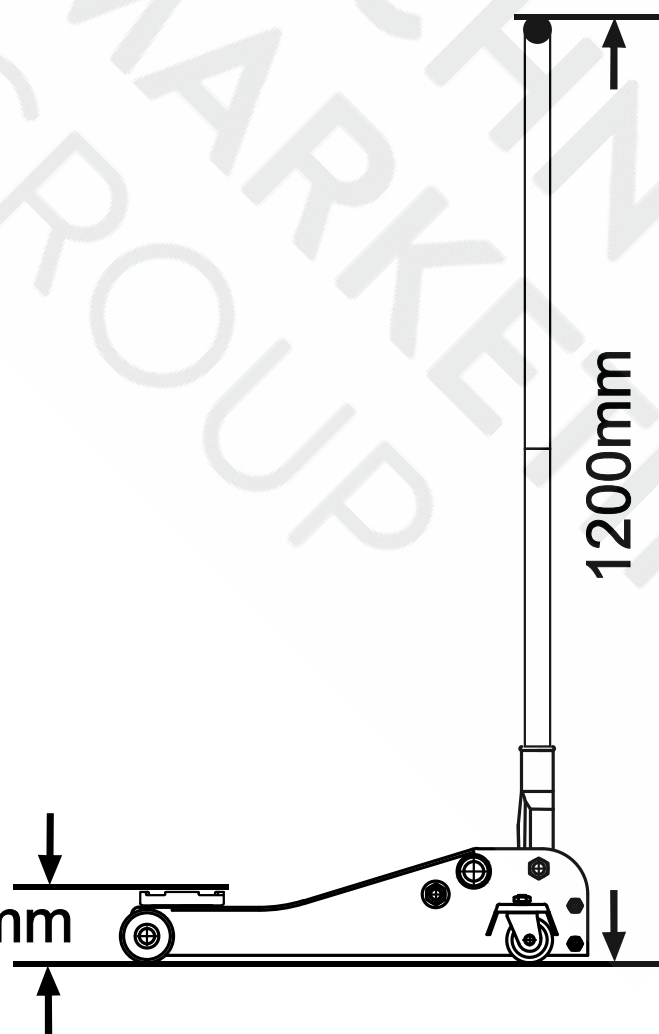
MAX.500mm

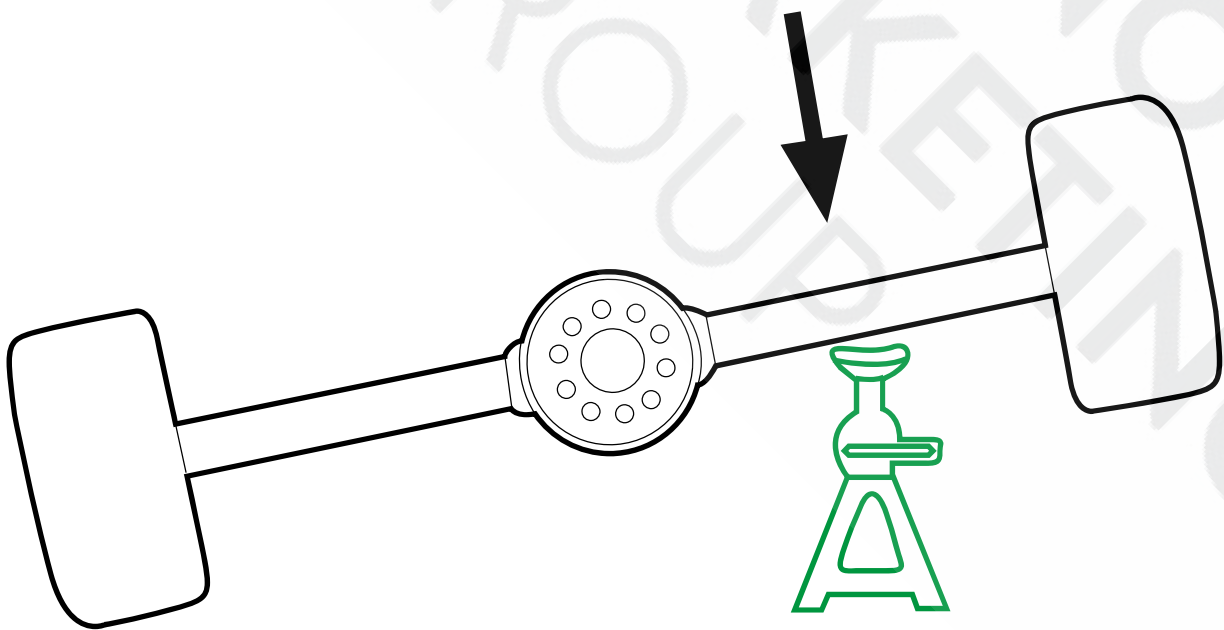
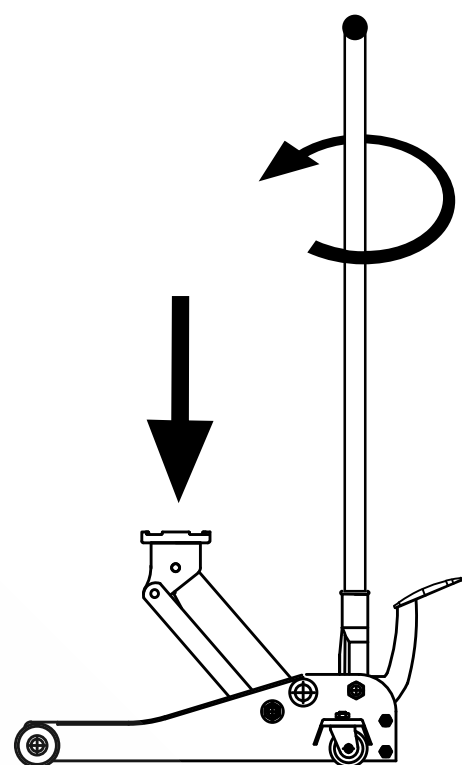
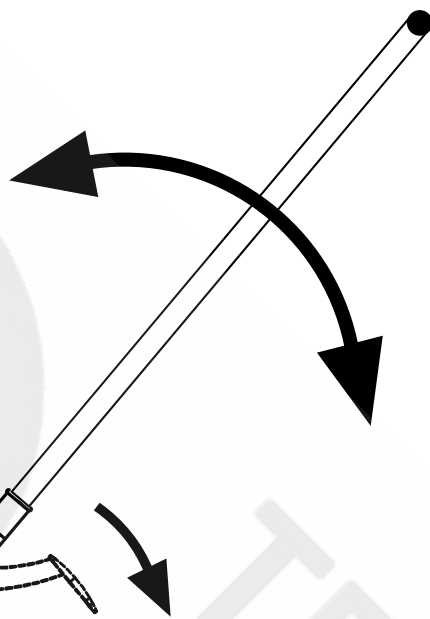
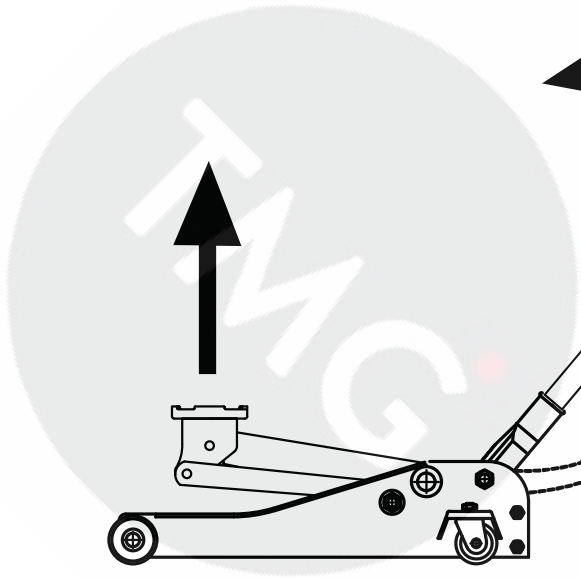


720mm

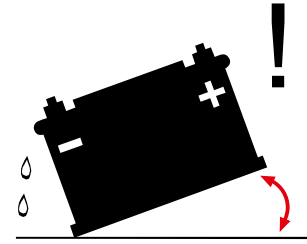
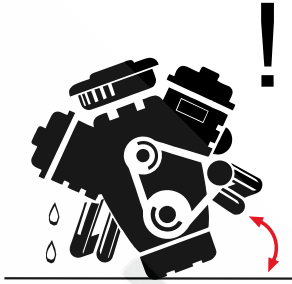
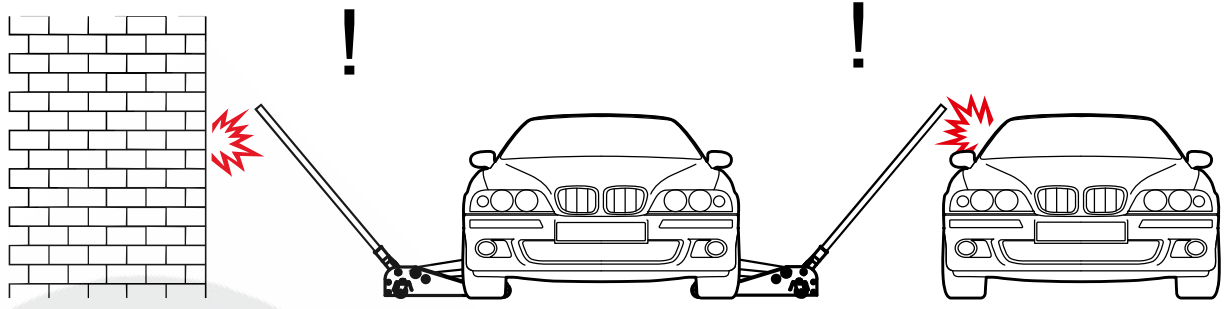
1200mm

MIN.95mm

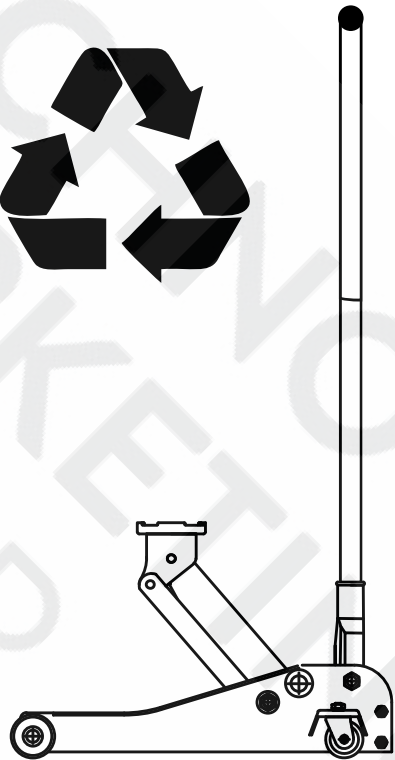
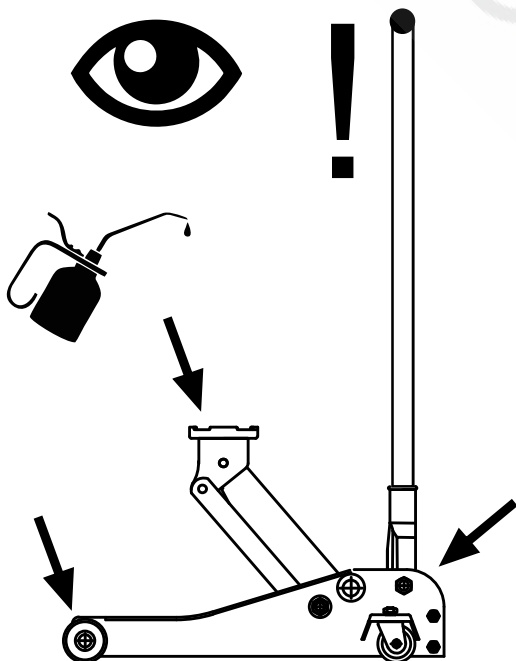
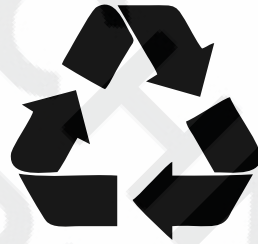
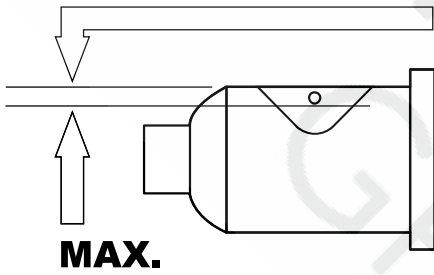


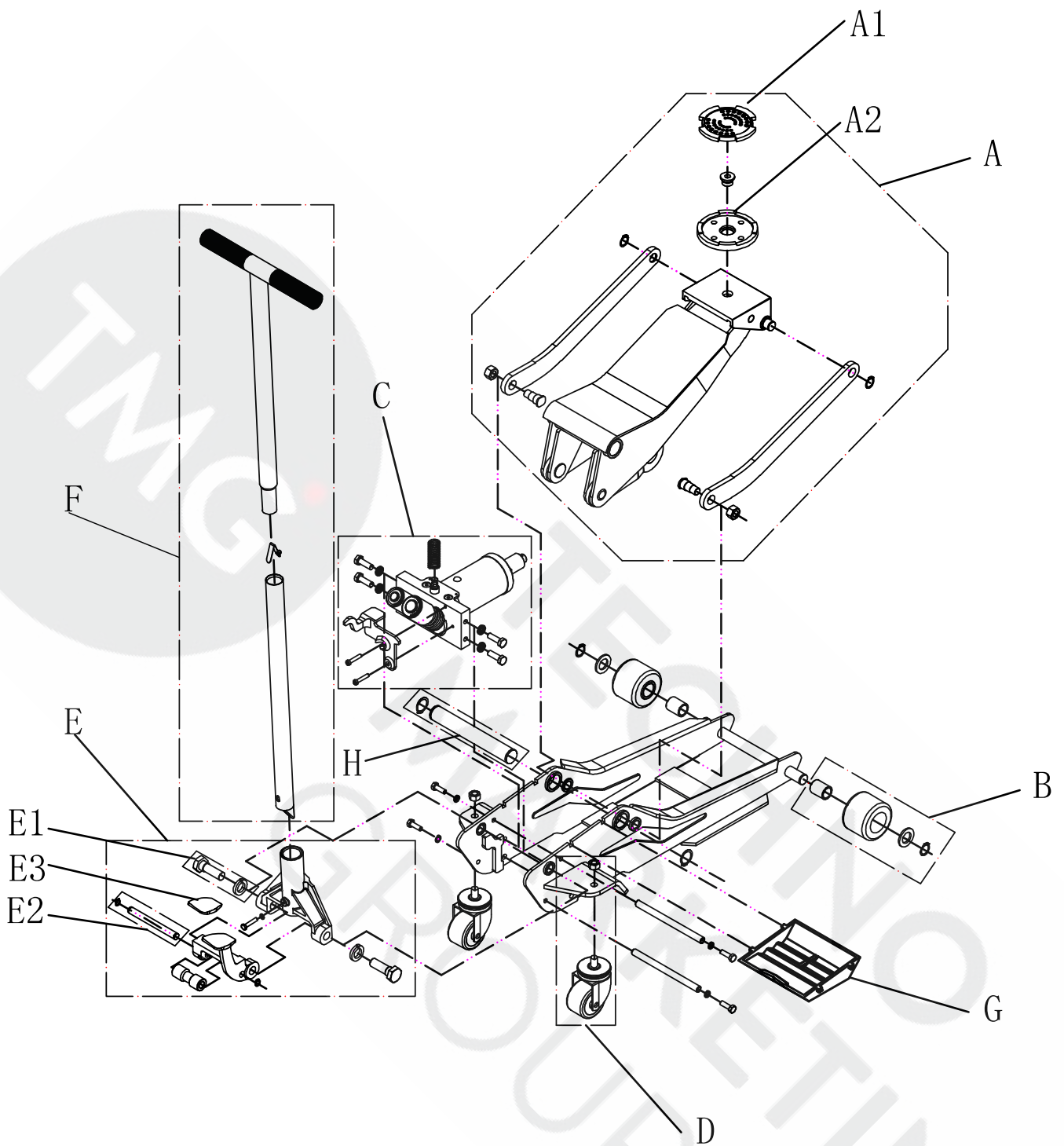


Y452300-Y452600-Y450301-Y451600



OIL LEVEL: 6.5MM





ART NR	DESCRIPTION	ART NR	DESCRIPTION
GT3.0-A	Complete lifting arm	GT3.0-E1	Bolt + washer
GT3.0-A1	Rubber saddle pad	GT3.0-E2	Axle + c-ring
GT3.0-A2	Saddle	GT3.0-E3	Rubber saddle pad foot pedal
GT3.0-B	Front wheel	GT3.0-F	Compleat handle
GT3.0-C	Cylinder	GT3.0-G	Tray
GT3.0-D	Rear wheel	GT3.0-H	Axle + c-ring
GT3.0-E	Complete handle socket		

F**DECLARATION DE CONFORMITÉ**

Nous, Gaither Europe BV
 Adresse : Rechtzaad 6
 4703 RC Roosendaal The Netherlands
 déclarons sous notre seule responsabilité que les produits auxquels se réfère cette déclaration sont conformes aux dispositions des Directives :
 2006/42/EC, EN 1494:2001+A1:2008

NL**VERKLARING VAN OVEREENKOMST**

Wij, Gaither Europe BV
 Adres: Rechtzaad 6
 4703 RC Roosendaal The Netherlands
 verklaren geheel onder eigen verantwoordelijkheid dat de volgende producten, waarop deze verklaring betrekking heeft, in overeenstemming zijn met de bepalingen van Richtlijn:
 2006/42/EC, EN 1494:2001+A1:2008

I**DICHIARAZIONE DI CONFORMITÀ**

Noi, Gaither Europe BV
 Indirizzo: Rechtzaad 6
 4703 RC Roosendaal The Netherlands
 dichiariamo sotto la nostra esclusiva responsabilità che i prodotti ai quali questa dichiarazione si riferisce sono conformi a quanto previsto dalle direttive: 2006/42/EC, EN 1494:2001+A1:2008

E**DECLARACIÓN DE CONFORMIDAD**

Nosotros, Gaither Europe BV
 Dirección: Rechtzaad 6
 4703 RC Roosendaal The Netherlands
 declaramos bajo nuestra exclusiva responsabilidad la conformidad de los productos a los que refiere esta declaración, con las disposiciones de Directiva :
 2006/42/EC, EN 1494:2001+A1:2008

P**DECLARAÇÃO DE CONFORMIDADE**

Nós, Gaither Europe BV
 Endereço: Rechtzaad 6
 4703 RC Roosendaal The Netherlands
 declaramos, sob nossa única responsabilidade, que os seguintes produtos, incluídos nesta declaração estão em conformidade com o disposto na Directiva : 2006/42/EC, EN 1494:2001+A1:2008

SE**FÖRSÄKRAN OM ÖVERENSSTÄMMELSE**

Vi, Gaither Europe BV
 Adress: Rechtzaad 6
 4703 RC Roosendaal The Netherlands
 försäkrar under eget ansvar att följande produkter som omfattas av denna försäkran är i överensstämmelse med villkoren i direktiv:
 2006/42/EC, EN 1494:2001+A1:2008

N**ERKLÆRING OM OVERENSSTEMMELSE**

Vi, Gaither Europe BV
 Adresse : Rechtzaad 6
 4703 RC Roosendaal The Netherlands
 erklærer på eget ansvar, at følgende produkter som dekkes av denne erklæringen, er i overensstemmelse med bestemmelsene i Direktiv :
 2006/42/EC, EN 1494:2001+A1:2008

DK**ÖVERENSSTEMMELSESERKLÄRING**

Vi, Gaither Europe BV
 Adresse: Rechtzaad 6
 4703 RC Roosendaal The Netherlands
 erklærer på eget ansvar et følgende produkter som er omfattet af denne erklæring, er i overensstemmelse med bestemmelserne i Direktiv:
 2006/42/EC, EN 1494:2001+A1:2008

FIN**VAATIMUSTENMUKAISUUSVAKUUTUS**

Me, Gaither Europe BV
 osoite: Rechtzaad 6
 4703 RC Roosendaal The Netherlands
 vakuutamme yksinomaan omalia vastuullamme, että seuraavat tuotteet, joihin tämä vakuutus liittyy, ovat seuraavien direktiivien vaatimusten mukaisia :
 2006/42/EC, EN 1494:2001+A1:2008

GB**DECLARATION OF CONFORMITY**

We, Gaither Europe BV
 Address: Rechtzaad 6
 4703 RC Roosendaal The Netherlands
 declare under our sole responsibility that the following products to which this declaration relates conform with the provisions of Directives :
 2006/42/EC, EN 1494:2001+A1:2008

D**KONFORMITÄT SERKLÄRUNG**

Wir, Gaither Europe BV
 Anschrift : Rechtzaad 6
 4703 RC Roosendaal The Netherlands
 erklären auf eigene Verantwortung, daß folgende Produkte, auf die sich diese Erklärung bezieht, mit den Bedingungen der Direktiven 2006/42/EC, EN 1494:2001+A1:2008 übereinstimmen.



Typ, tyyppi, type, type, type, Typ, type, tipo, type, tipo, tipo

GT3.0

Ralph Dubbeldam
 Managing Director
 Gaither Europe BV
 Date: 2016-06-15
 Roosendaal
 The Netherlands

GAITHER

NOTES



SMARTTECHNO
GROUP MARKETING

ABOUT US

Gaither Tool Company, Inc. founded in 1988, is an international organization committed to serving the tire and trucking industry. It invents and manufactures convenient tools and systems needed to service and maintain tires and wheel assemblies.

Gaither Tool Company, Inc. continually invests in research and development to bring to its customers the most effective tools in the business. It strives to improve efficiency and reduce costs for customers all over the world working in truck maintenance shops as well as on-the-road tire service providers. Bandag, Euromaster/Michelin, Bridgestone's First Stop, The United States Armed Forces... just to name a few.

Gaither supplies products to customers in over 100 countries, selling through exclusive and nonexclusive distributors. Gaither Tool Company, Inc. is headquartered in Jacksonville, Illinois, U.S.A. In 1997 it opened a branch office located in Roosendaal, Holland to better serve the European market. In 1999 that office was incorporated in Holland and Gaither Europe BV was started. Gaither's manufacturing plant and warehousing for International distribution is located in Taichung, Taiwan.

With a strategically placed location in both The United States and The Netherlands, we are able to serve the global industry



CONTACT US

gaithereurope.com

GAITHER EUROPE BV

Rechtzaad 6
4703 RC Roosendaal (Holland)

† +31 (0) 165 554475

f +31 (0) 165 391819

e evd@gaithereurope.com



CHANGING THE WAY THE WORLD CHANGES TIRES