



Gaither[®]
PROFESSIONAL EQUIPMENT

**REACHING
FOR NEW
HEIGHTS!**



INSTRUCTIONS FOR
GT 3031

// GAITHERTOOL.COM

GAITHER GT 3031

Thank you for purchasing a Gaither Tools product. Manufactured to a high standard this product will, if used according to these instructions and properly maintained, give you years of trouble free performance.

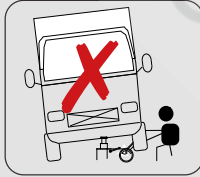
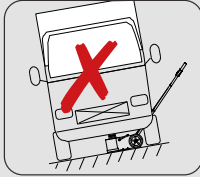
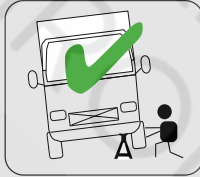
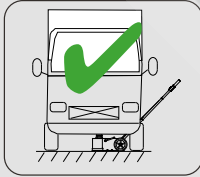
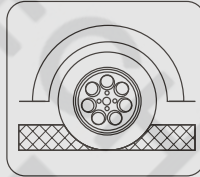


IMPORTANT:

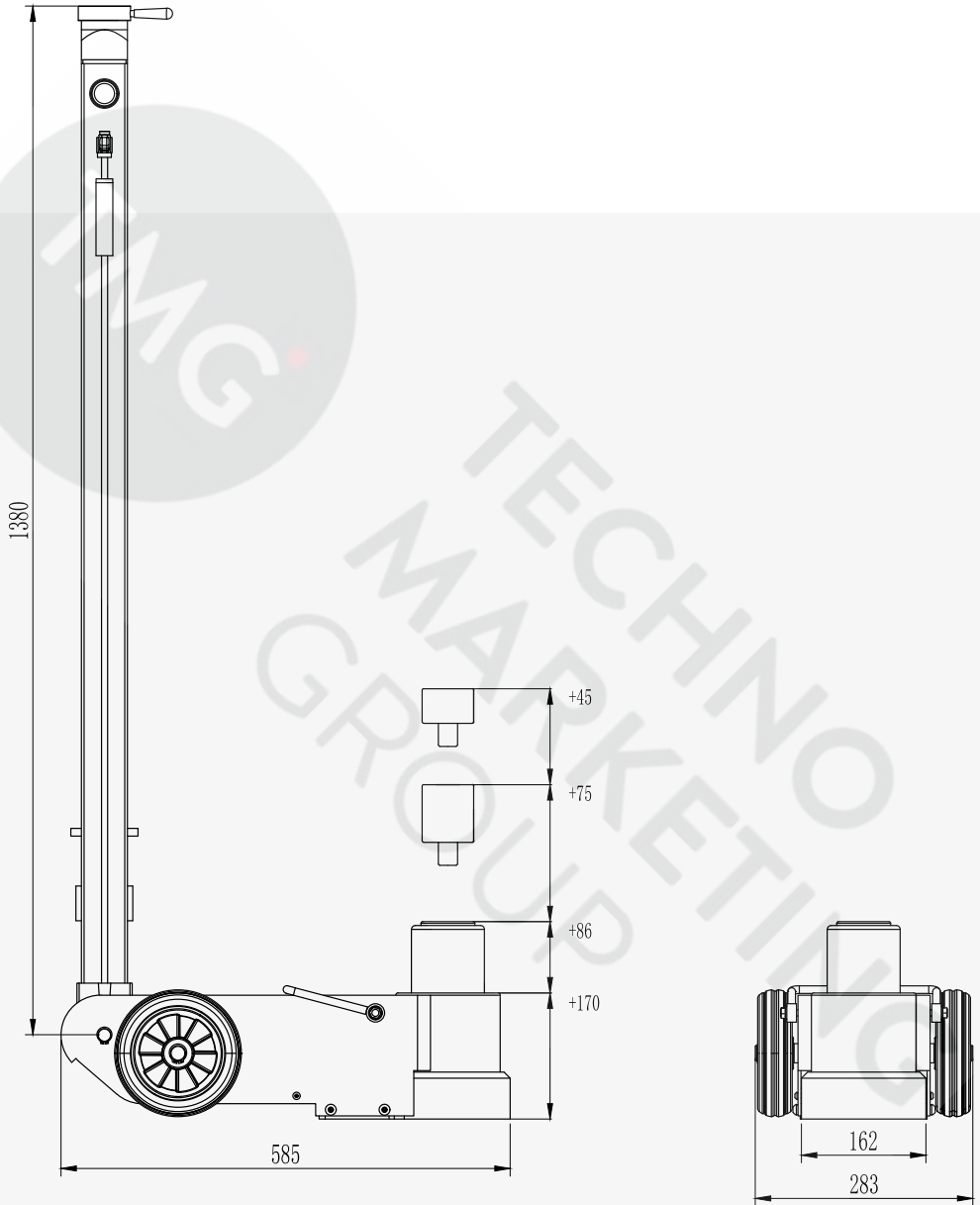
PLEASE READ THESE INSTRUCTIONS CAREFULLY. NOTE THE SAFE OPERATIONAL REQUIREMENTS, WARNINGS AND CAUTIONS. USE THE PRODUCT CORRECTLY AND WITH CARE FOR THE PURPOSE FOR WHICH IT IS INTENDED. FAILURE TO DO SO MAY CAUSE DAMAGE AND/OR PERSONAL INJURY AND WILL INVALIDATE THE WARRANTY. PLEASE KEEP INSTRUCTIONS SAFE FOR FUTURE USE.



WARNINGS




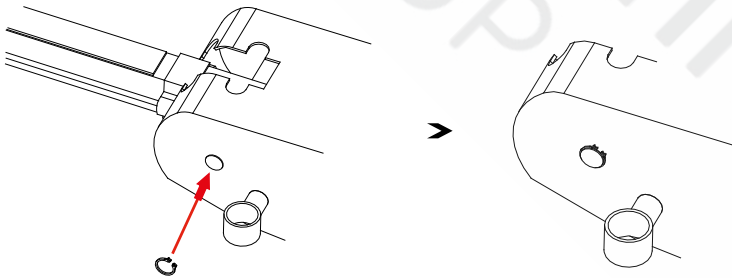
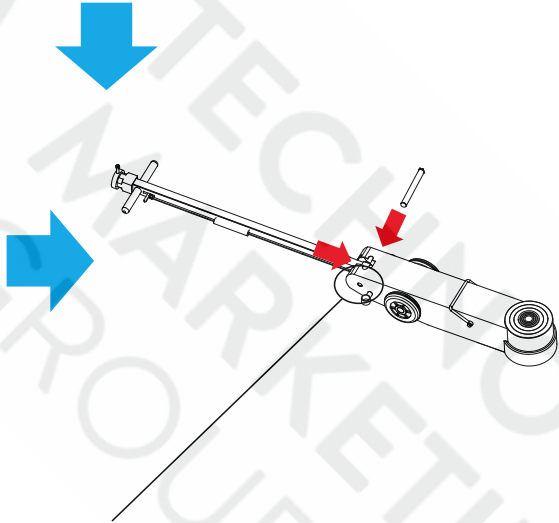
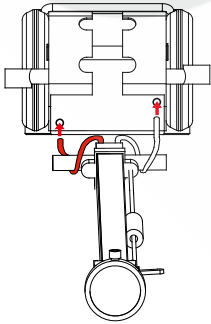
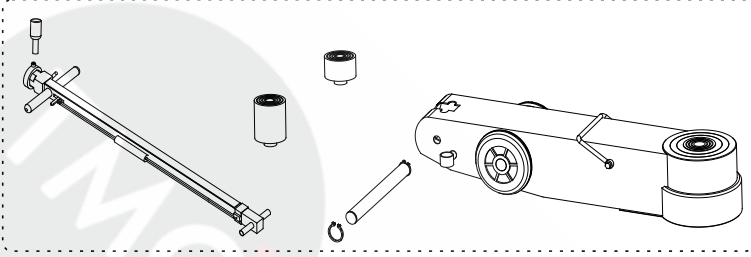
MORE INFO AND INSTRUCTION VIDEOS VISIT GAITHERTOOL.COM



GAITHER

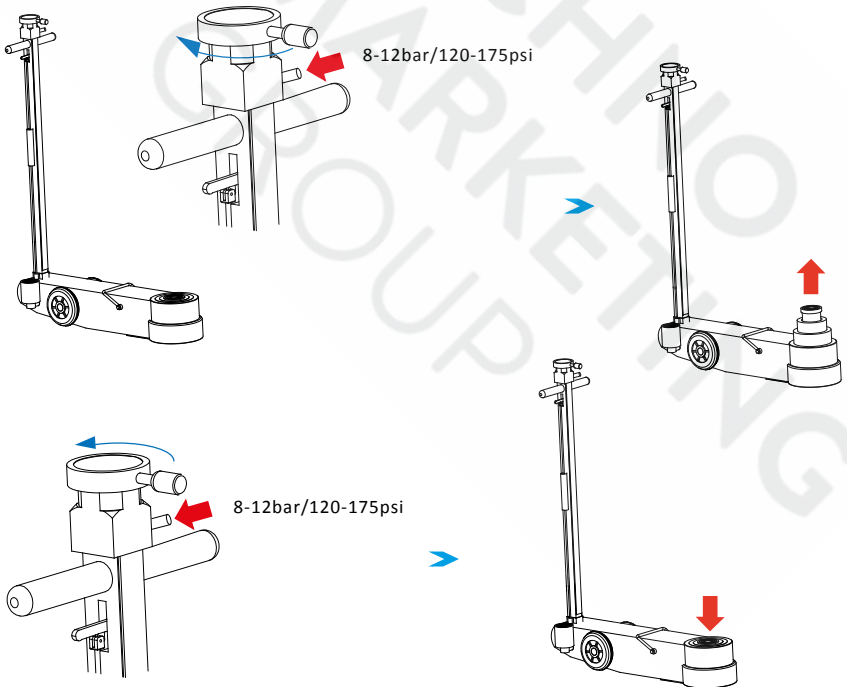
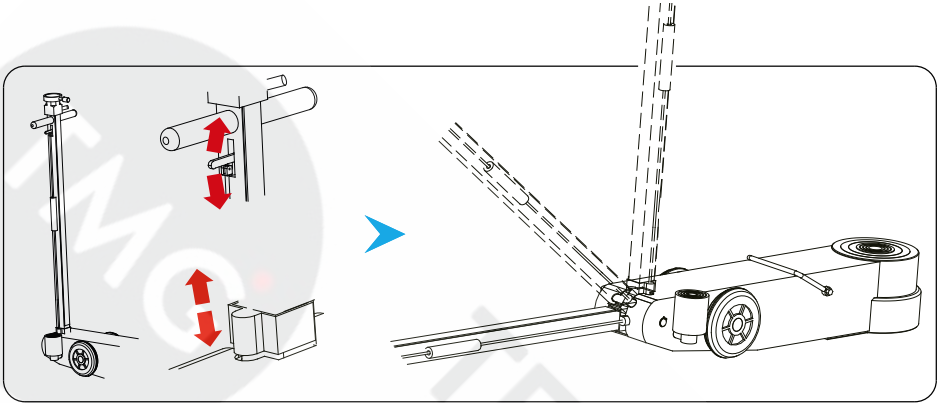
GT 3031

Assembly 



GT 3031

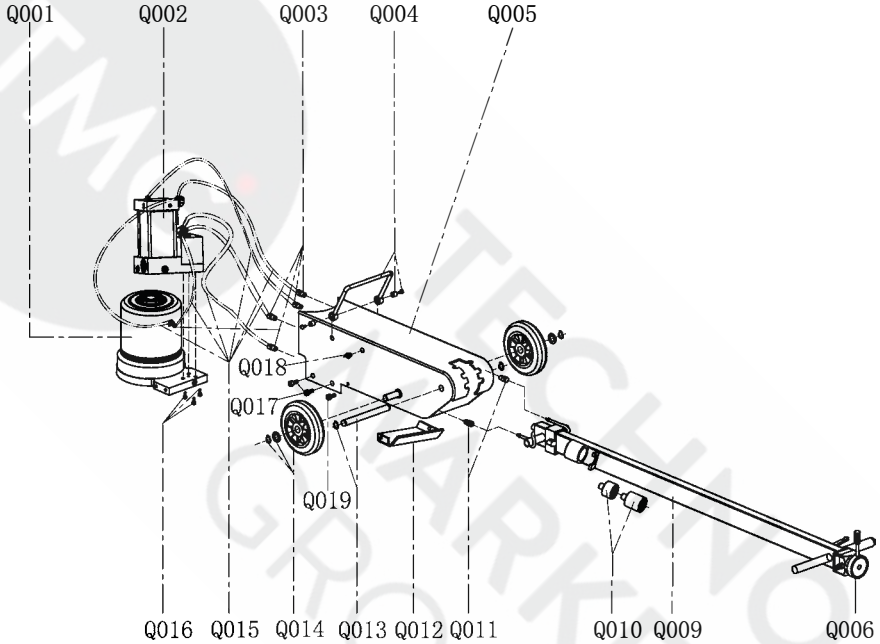
Usage 



GAITHER

GT 3031

Spare parts main

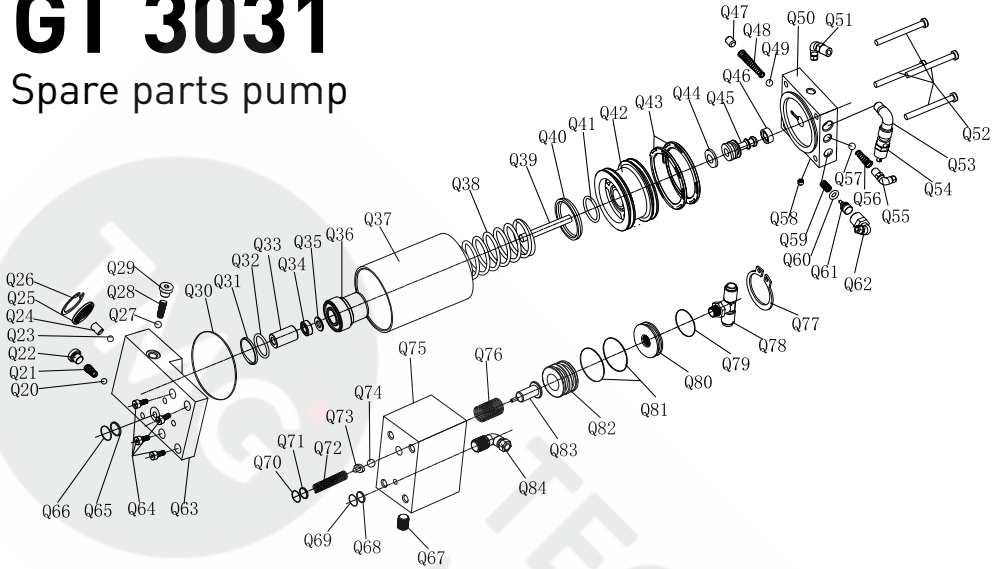


ART NR	DESCRIPTION	ART NR	DESCRIPTION
Q001	CYLINDER ASSY	Q012	PROTECTION COVER
Q002	PUMP ASSY	Q013	AXLE
Q003	TIE IN	Q014	WHEEL SETS
Q004	HANDLE SETS	Q015	HOSE
Q005	HOUSING ASSY	Q016	SCREW
Q006	SWITCH ASSY	Q017	SCREW
Q009	HANDLE ASSY	Q018	SCREW
Q010	ADAPTOR SETS	Q019	SCREW
Q011	TIE IN		

GAITHER

GT 3031

Spare parts pump

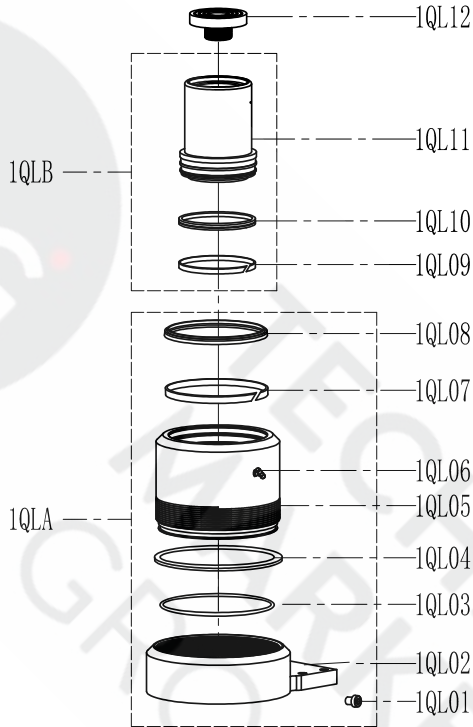


ART NR	DESCRIPTION	ART NR	DESCRIPTION	ART NR	DESCRIPTION
Q20	STEEL BALL	Q42	PISTON	Q64	SCREW
Q21	SPRING	Q43	PK SEALING	Q65	LOCKING RING
Q22	SCREW NUT	Q44	Z8 SEALING	Q66	O RING
Q23	STEEL BALL	Q45	PISTON	Q67	SCREW
Q24	SCREW NUT	Q46	RUBBER CAP	Q68	LOCKING RING
Q25	SILENCER	Q47	SCREW NUT	Q69	O RING
Q26	CLAMP	Q48	SPRING	Q70	O RING
Q27	STEEL BALL	Q49	RUBBER BALL	Q71	LOCKING RING
Q28	SPRING	Q50	AIR INLET BASE	Q72	SPRING
Q29	SCREW NUT	Q51	TIE IN	Q73	STEEL BALL BULKHEAD
Q30	O RING	Q52	SCREW	Q74	STEEL BALL
Q31	O RING	Q53	TIE IN	Q75	OIL DRAIN VALVE
Q32	LOCKING RING	Q54	SAFE VALVE	Q76	SPRING
Q33	GUIDE BUSHING	Q55	TIE IN	Q77	CLAMP
Q34	B3 SEALING	Q56	SPRING	Q78	TIE IN
Q35	LOCKING RING	Q57	RUBBER BALL	Q79	O RING
Q36	PLUNGER BUSHING	Q58	SCREW NUT	Q80	O RING
Q37	AIR CYLINDER	Q59	SPRING	Q81	O RING
Q38	SPRING	Q60	O RING	Q82	OIL DRAIN PISTON
Q39	PLUNGER ROD	Q61	PISTON	Q83	OIL DRAIN BOLT
Q40	PLUNGER CAP	Q62	TIE IN	Q84	TIE IN
Q41	O RING	Q63	CHECK VALVE		

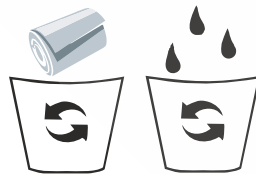
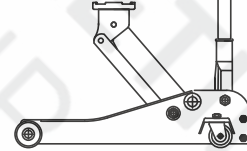
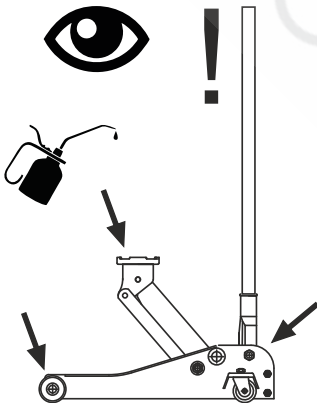
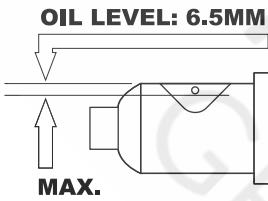
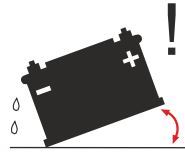
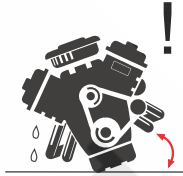
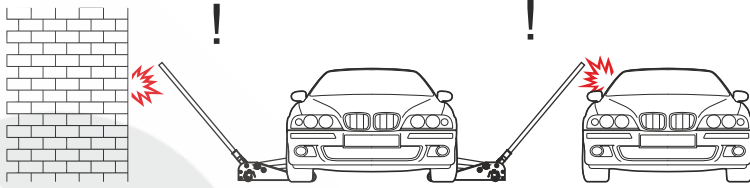
GAITHER

GT 3031

Spare parts Cylinder



ASSY NO.	ART NR	DESCRIPTION
1QLB	1QL12	SADDLE
	1QL09	PISTON ASSEMBLY
	1QL10	
	1QL11	
1QLA	1QL01	BASE & SLEEVE ASSEMBLY
	1QL02	
	1QL03	
	1QL04	
	1QL05	
	1QL06	
	1QL07	
	1QL08	



F: DÉCLARATION DE CONFORMITÉ

Nous: Gaither Europe BV
Adresse: Rechtzaad 6
 4703 RC Roosendaal The Netherlands

déclarons sous notre seule responsabilité que les produits auxquels se réfère cette déclaration sont conformes aux dispositions des Directives: 2006/42/EC, EN 1494:2001+A1:2008

NL: VERKLARING VAN OVEREENKOMST

Wij: Gaither Europe BV
Adres: Rechtzaad 6
 4703 RC Roosendaal The Netherlands

verklaren geheel onder eigen verantwoordelijkheid dat de volgende producten, waarop deze verklaring betrekking heeft, in overeenstemming zijn met de bepalingen van Richtlijn: 2006/42/EC, EN 1494:2001+A1:2008

I: DICHIARAZIONE DI CONFORMITÀ

Noi: Gaither Europe BV
Indirizzo: Rechtzaad 6
 4703 RC Roosendaal The Netherlands

dichiariamo sotto la nostra esclusiva responsabilità che i prodotti ai quali questa dichiarazione si riferisce sono conformi a quanto previsto dalle direttive: 2006/42/EC, EN 1494:2001+A1:2008

E: DECLARACIÓN DE CONFORMIDAD

Nosotros: Gaither Europe BV
Dirección: Rechtzaad 6
 4703 RC Roosendaal The Netherlands

declaramos bajo nuestra exclusiva responsabilidad la conformidad de los productos a los que refiere esta declaración, con las disposiciones de Directiva: 2006/42/EC, EN 1494:2001+A1:2008

P: DECLARAÇÃO DE CONFORMIDADE

Nós: Gaither Europe BV
Endereço: Rechtzaad 6
 4703 RC Roosendaal The Netherlands

declaramos, sob nossa única responsabilidade, que os seguintes produtos, incluídos nesta declaração estão em conformidade com o disposto na Directiva: 2006/42/EC, EN 1494:2001+A1:2008

SE: FÖRSÄKRAN OM ÖVERENSSTÄMMELSE

Vi: Gaither Europe BV
Address: Rechtzaad 6
 4703 RC Roosendaal The Netherlands

försäkrar under eget ansvar att följande produkter som omfattas av denna försäkran är i överensstämmelse med villkoren i direktiv: 2006/42/EC, EN 1494:2001+A1:2008

N: ERKLÆRING OM OVERENSSTEMMELSE

Vi: Gaither Europe BV
Adresse: Rechtzaad 6
 4703 RC Roosendaal The Netherlands

erklærer på eget ansvar, at følgende produkter som dekkes av denne erklæringen, er i overensstemmelse med bestemmelsene i Direktiv: 2006/42/EC, EN 1494:2001+A1:2008

DK: ÖVERENSSTEMMELSESERKLÆRING

Vi: Gaither Europe BV
Adresse: Rechtzaad 6
 4703 RC Roosendaal The Netherlands

erklærer på eget ansvar et følgende produkter som er omfattet af denne erklæring, er i overensstemmelse med bestemmelserne i Direktiv: 2006/42/EC, EN 1494:2001+A1:2008

Fin: ÖVERENSSTEMMELSESERKLÆRING

Me: Gaither Europe BV
Osoite: Rechtzaad 6
 4703 RC Roosendaal The Netherlands

vakuutamme yksinomaan omalia vastuullamme, että seuraavat tuotteet, joihin tämä vakuutus liittyy, ovat seuraavien direktiivien vaatimusten mukaisia: 2006/42/EC, EN 1494:2001+A1:2008

GB: DECLARATION OF CONFORMITY

We: Gaither Europe BV
Address: Rechtzaad 6
 4703 RC Roosendaal The Netherlands

declare under our sole responsibility that the following products to which this declaration relates conform with the provisions of Directives: 2006/42/EC, EN 1494:2001+A1:2008

D: KONFORMITÄT SERKLÄRUNG

Wir: Gaither Europe BV
Anschriff: Rechtzaad 6
 4703 RC Roosendaal The Netherlands

erklären auf eigene Verantwortung, daß folgende Produkte, auf die sich diese Erklärung bezieht, mit den Bedingungen der Direktiven: 2006/42/EC, EN 1494:2001+A1:2008



Typ,tyyppi,type,type,type,Typ,type,tipo,type,tipo,tipo: GT 3031

Ralph Dubbeldam
 Managing Director
 Gaither Europe BV, 2016-06-15
 Roosendaal The Netherlands

GAITHER NOTES



A series of horizontal dotted lines spanning the width of the page, intended for taking notes.

ABOUT US

Gaither Tool Company, Inc. founded in 1988, is an international organization committed to serving the tire and trucking industry. It invents and manufactures convenient tools and systems needed to service and maintain tires and wheel assemblies.

Gaither Tool Company, Inc. continually invests in research and development to bring to its customers the most effective tools in the business. It strives to improve efficiency and reduce costs for customers all over the world working in truck maintenance shops as well as on-the-road tire service providers. Bandag, Euromaster/Michelin, Bridgestone's First Stop, The United States Armed Forces... just to name a few.

Gaither supplies products to customers in over 100 countries, selling through exclusive and nonexclusive distributors. Gaither Tool Company, Inc. is headquartered in Jacksonville, Illinois, U.S.A. In 1997 it opened a branch office located in Roosendaal, Holland to better serve the European market. In 1999 that office was incorporated in Holland and Gaither Europe BV was started. Gaither's manufacturing plant and warehousing for International distribution is located in Taichung, Taiwan.

With a strategically placed location in both The United States and The Netherlands, we are able to serve the global industry



CONTACT US
gaithertool.com

GAITHER EUROPE BV
THE NETHERLANDS

Rechtzaad 6
4703 RC Roosendaal (Holland)

t +31 (0) 165 554475

f +31 (0) 165 391819

e evd@gaithereurope.com

Gaither
PROFESSIONAL EQUIPMENT

CHANGING THE WAY THE WORLD SERVICES YOUR TIRES