



Gaither[®]
PROFESSIONAL EQUIPMENT

**REACHING
FOR NEW
HEIGHTS!**



INSTRUCTIONS FOR
GT 6033

// GAITHERTOOL.COM

GAITHER

GT 6033

Thank you for purchasing a Gaither Tools product. Manufactured to a high standard this product will, if used according to these instructions and properly maintained, give you years of trouble free performance.

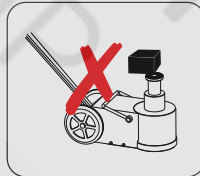
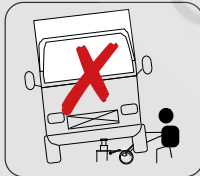
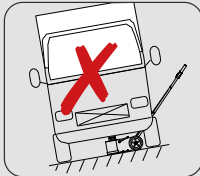
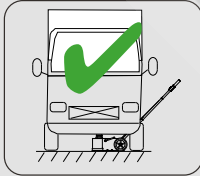
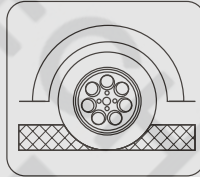


IMPORTANT:

PLEASE READ THESE INSTRUCTIONS CAREFULLY. NOTE THE SAFE OPERATIONAL REQUIREMENTS, WARNINGS AND CAUTIONS. USE THE PRODUCT CORRECTLY AND WITH CARE FOR THE PURPOSE FOR WHICH IT IS INTENDED. FAILURE TO DO SO MAY CAUSE DAMAGE AND/OR PERSONAL INJURY AND WILL INVALIDATE THE WARRANTY. PLEASE KEEP INSTRUCTIONS SAFE FOR FUTURE USE.



WARNINGS

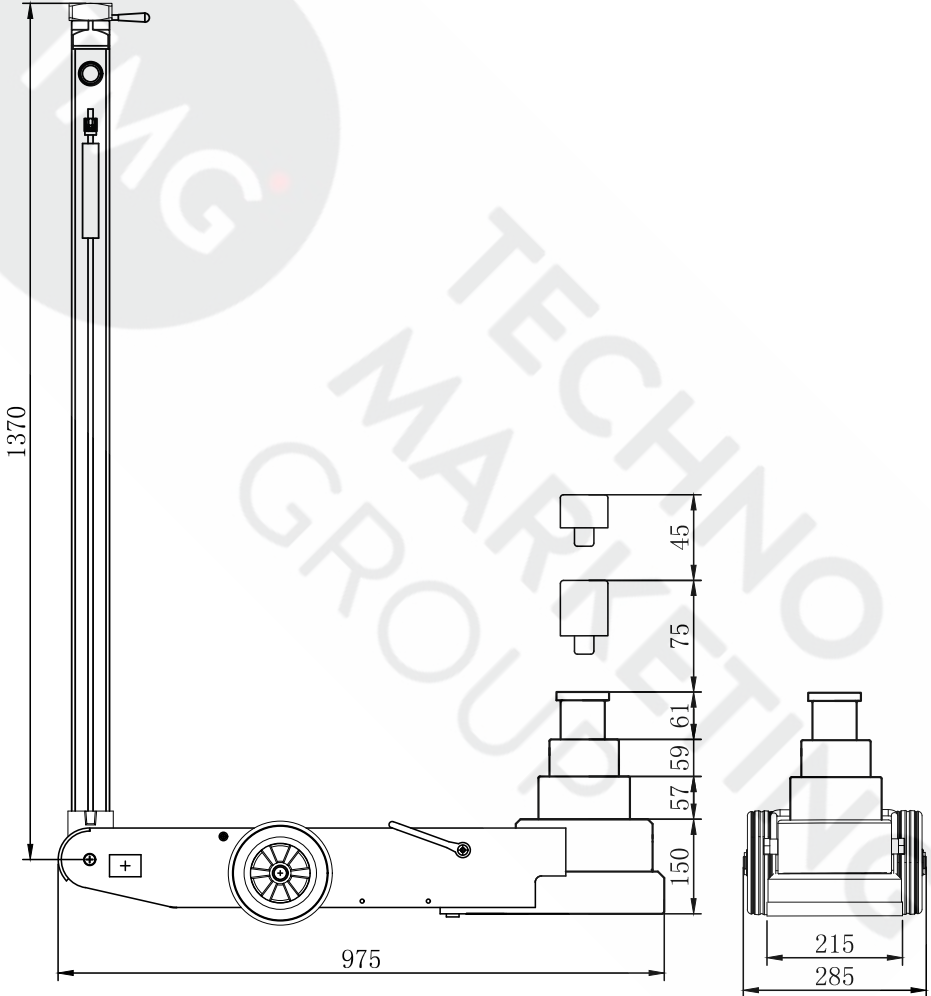


MORE INFO AND INSTRUCTION VIDEOS VISIT GAITHERTOOL.COM

GAITHER

GT 6033

Dimensions



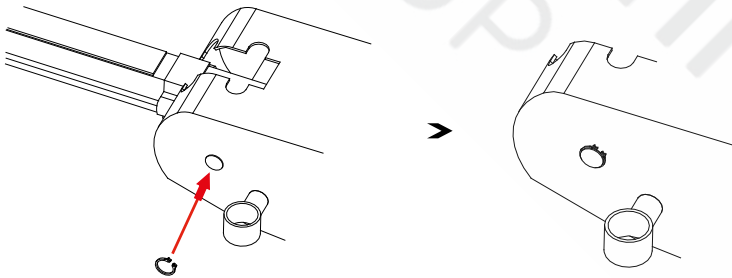
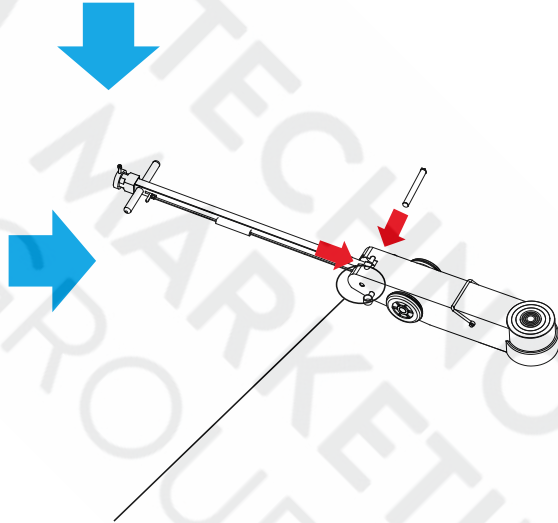
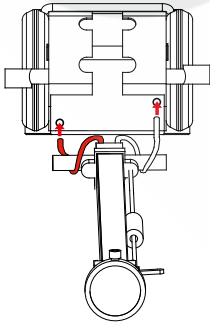
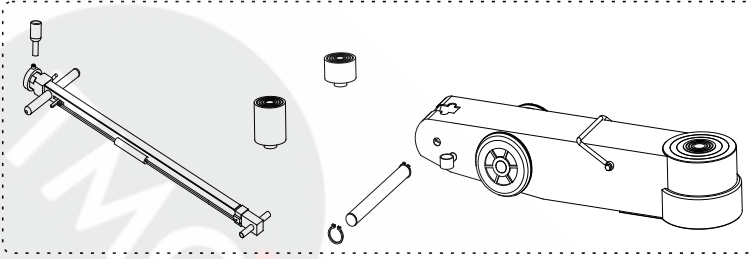
GAITHER

GT 6033

Assembly



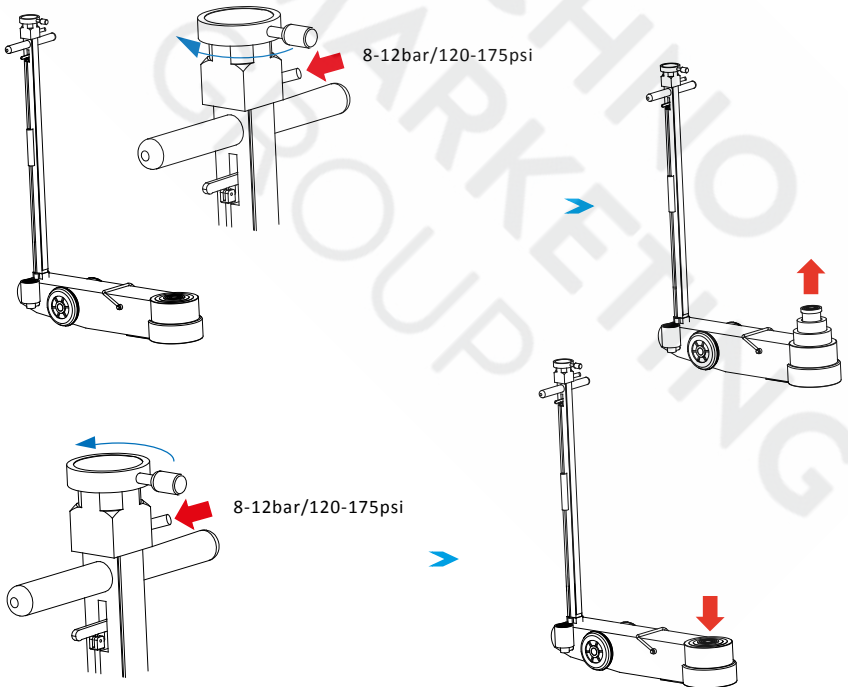
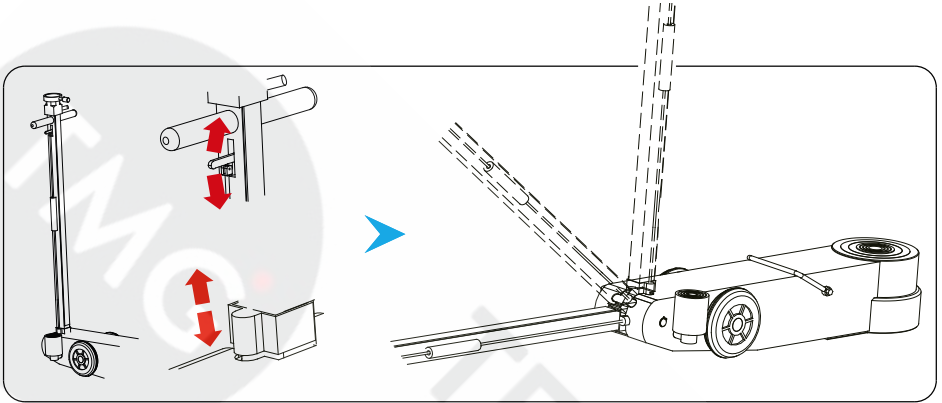
Gaither
PROFESSIONAL EQUIPMENT



GAITHER

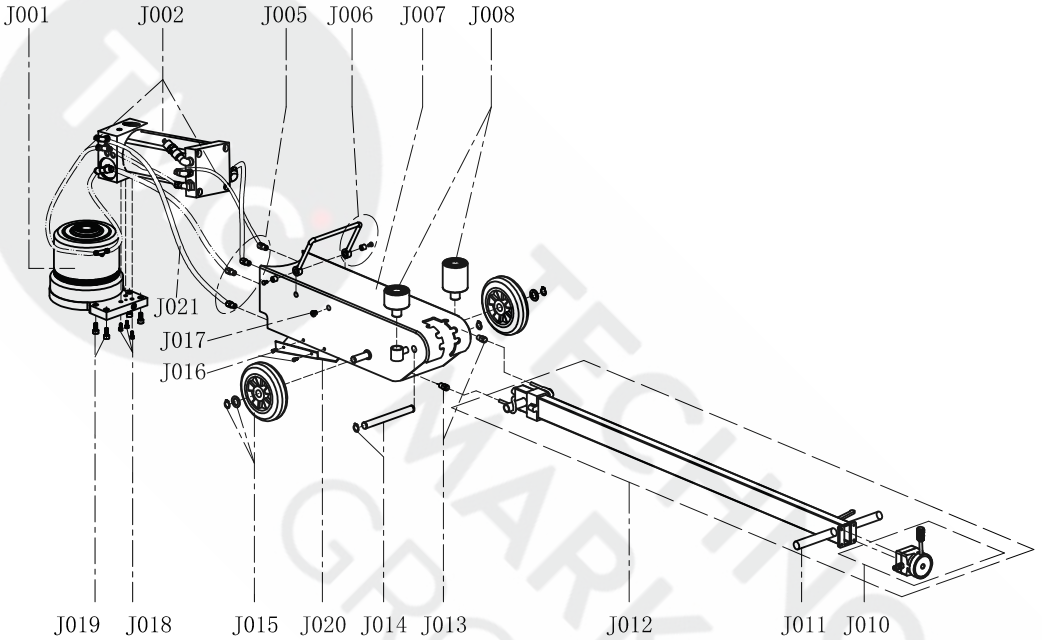
GT 6033

Usage 



GT 6033

Spare parts main



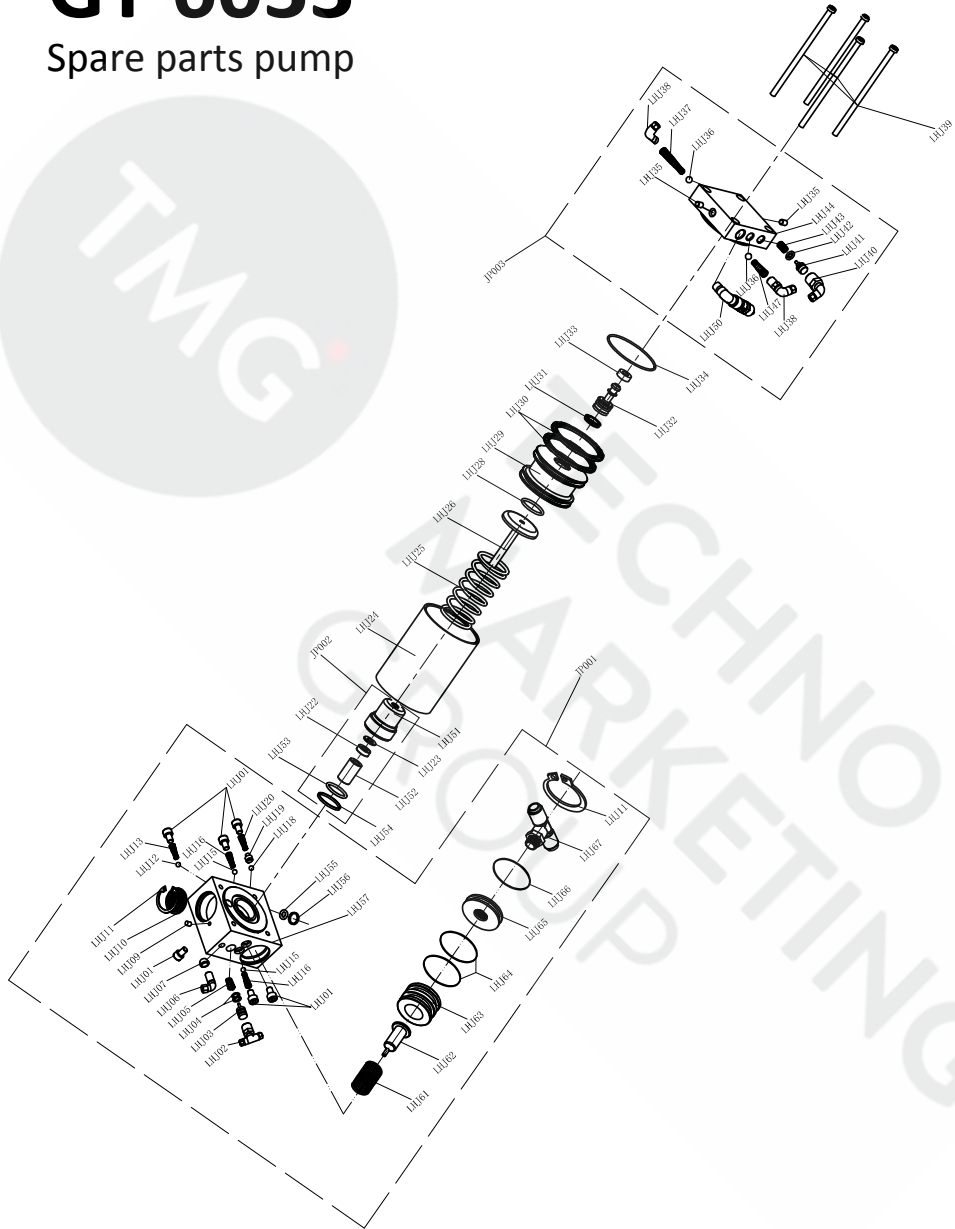
ART NR	DESCRIPTION	ART NR	DESCRIPTION
J001	CYLINDER ASSY	J013	PROTECTION COVER
J002	PUMP ASSY	J014	AXLE
J005	TIE IN	J015	WHEEL SETS
J006	HANDLE SETS	J016	SCREW
J007	HOUSING ASSY	J017	SCREW
J008	SWITCH ASSY	J018	SCREW
J010	HANDLE ASSY	J019	SCREW
J011	ADAPTOR SETS	J020	PROTECTION COVER
J012	TIE IN	J021	OIL HOSE

GAITHER

Gaither
PROFESSIONAL EQUIPMENT

GT 6033

Spare parts pump



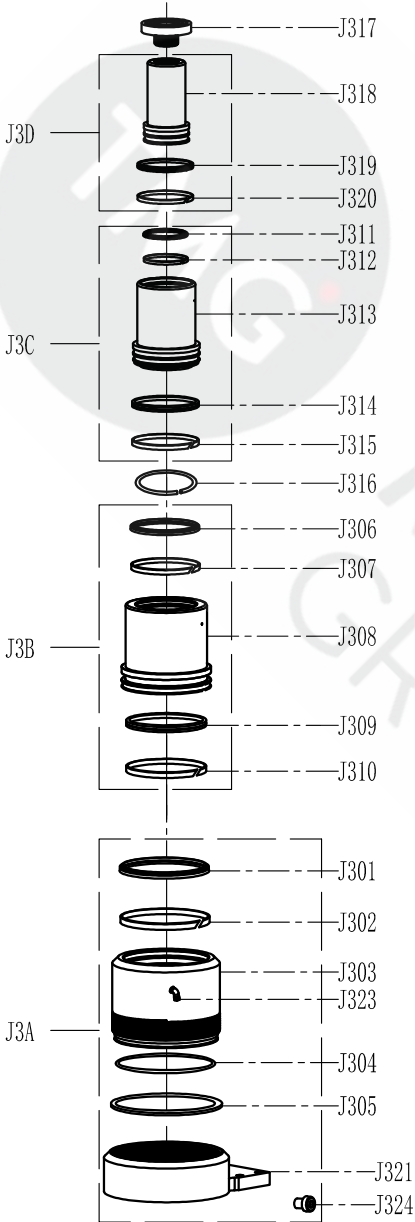
GT 6033

Spare parts pump

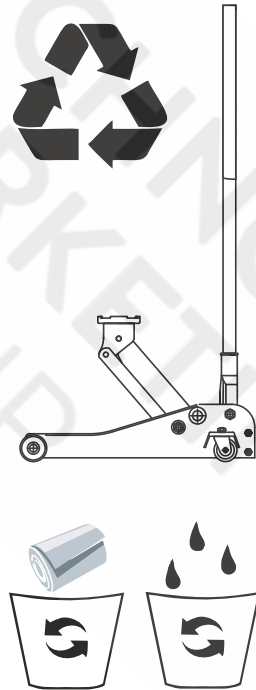
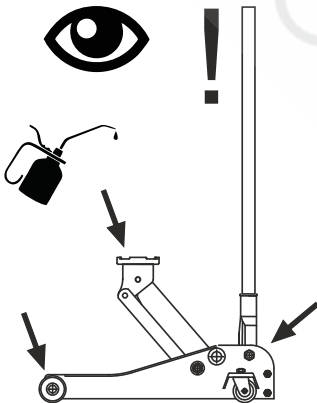
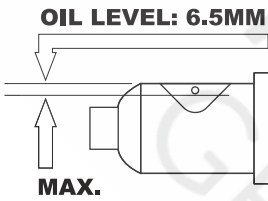
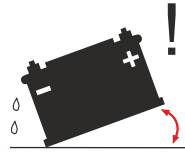
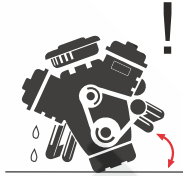
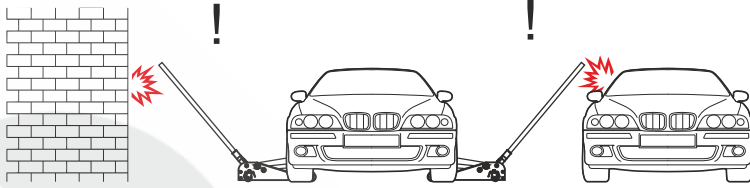
ART NR	DESCRIPTION	ART NR	DESCRIPTION	ART NR	DESCRIPTION
LHJ01	SCREW	LHJ24	AIR CYLINDER	LHJ44	AIR INLET VALVE
LHJ02	TIE IN	LHJ25	SPRING	LHJ47	SPRING
LHJ03	OIL DRAIN BOLT	LHJ26	PLUNGER ROD	LHJ50	SAFETY VALVE
LHJ04	O RING	LHJ28	O RING	LHJ51	OIL PUMP
LHJ05	SPRING	LHJ29	PISTON	LHJ52	GUIDER SLEEVE
LHJ06	TIE IN	LHJ30	OA	LHJ53	O RING
LHJ07	FITTER	LHJ31	Z8 SEAL	LHJ54	LOCKING RING
LHJ09	SCREW	LHJ32	PISTON	LHJ55	O RING
LHJ10	SILENCER	LHJ33	RUBBER CAP	LHJ56	LOCKING RING
LHJ11	CLAMP	LHJ34	O RING	LHJ57	CHECK VALVE
LHJ12	STEEL BALL	LHJ35	SCREW	LHJ61	SPRING
LHJ13	SPRING	LHJ36	RUBBEL BALL	LHJ62	OIL DRAIN BOLT
LHJ15	STEEL BALL	LHJ37	SPRING	LHJ63	OIL DRAIN PISTON
LHJ16	SPRING	LHJ38	TIE IN	LHJ64	O-RING
LHJ18	STEEL BALL	LHJ39	SCREW	LHJ65	OIL DRAIN COVER
LHJ19	SCREW NUT	LHJ40	TIE IN	LHJ66	O RING
LHJ20	SPRING	LHJ41	PISTON	JP001	CHECK VALVE ASSY
LHJ22	B3 SEAL	LHJ42	O RING	JP002	OIL PUMP ASSY
LHJ23	LOCKING RING	LHJ43	SPRING	JP003	AIR INLET VALVE ASSY

GT 6033

Spare parts Cylinder



ASSY NO.	ART NR	DESCRIPTION
J3A	J301	BASE & SLEEVE ASSEMBLY
	J302	
	J303	
	J304	
	J305	
	J321	
	J323	
	J324	
J3B	J306	INNER SLEEVE ASSY
	J307	
	J308	
	J309	
	J310	LOCKING RING
J3C	J311	INNER SLEEVE ASSY
	J312	
	J313	
	J314	
	J315	
J3D	J318	PISTON ASSEMBLY
	J319	
	J320	
	J317	SADDLE
J3E	J301/J302/ J304/J305/ J306/J307/ J309/J310/ J311/J312/ J314/J315/ J318/J319/ J320	SEAL KIT



F: DÉCLARATION DE CONFORMITÉ

Nous: Gaither Europe BV

Adresse: Rechtzaad 6

4703 RC Roosendaal The Netherlands

déclarons sous notre seule responsabilité que les produits auxquels se réfère cette déclaration sont conformes aux dispositions des Directives:

2006/42/EC, EN 1494:2001+A1:2008

NL: VERKLARING VAN OVEREENKOMST

Wij: Gaither Europe BV

Adres: Rechtzaad 6

4703 RC Roosendaal The Netherlands

verklaren geheel onder eigen verantwoordelijkheid dat de volgende producten, waarop deze verklaring betrekking heeft, in overeenstemming zijn met de bepalingen van Richtlijn:

2006/42/EC, EN 1494:2001+A1:2008

I: DICHIARAZIONE DI CONFORMITÀ

Noi: Gaither Europe BV

Indirizzo: Rechtzaad 6

4703 RC Roosendaal The Netherlands

dichiariamo sotto la nostra esclusiva responsabilità che i prodotti ai quali questa dichiarazione si riferisce sono conformi a quanto previsto dalle direttive: 2006/42/EC, EN 1494:2001+A1:2008

E: DECLARACIÓN DE CONFORMIDAD

Nosotros: Gaither Europe BV

Dirección: Rechtzaad 6

4703 RC Roosendaal The Netherlands

declaramos bajo nuestra exclusiva responsabilidad la conformidad de los productos a los que refiere esta declaración, con las disposiciones de Directiva: 2006/42/EC, EN 1494:2001+A1:2008

P: DECLARAÇÃO DE CONFORMIDADE

Nós: Gaither Europe BV

Endereço: Rechtzaad 6

4703 RC Roosendaal The Netherlands

declaramos, sob nossa única responsabilidade, que os seguintes produtos, incluídos nesta declaração estão em conformidade com o disposto na Directiva: 2006/42/EC, EN 1494:2001+A1:2008

SE: FÖRSÄKRAN OM ÖVERENSSTÄMMELSE

Vi: Gaither Europe BV

Adress: Rechtzaad 6

4703 RC Roosendaal The Netherlands

försäkrar under eget ansvar att följande produkter som omfattas av denna försäkran är i överensstämmelse med villkoren i direktiv:

2006/42/EC, EN 1494:2001+A1:2008

N: ERKLÆRING OM OVERENSSTEMMELSE

Vi: Gaither Europe BV

Adresse: Rechtzaad 6

4703 RC Roosendaal The Netherlands

erklærer på eget ansvar, at følgende produkter som dekkes af denne erklæringen, er i overensstemmelse med bestemmelserne i Direktiv:

2006/42/EC, EN 1494:2001+A1:2008

DK: ÖVERENSSTEMMELSESERKLÆRING

Vi: Gaither Europe BV

Adresse: Rechtzaad 6

4703 RC Roosendaal The Netherlands

erklærer på eget ansvar et følgende produkter som er omfattet af denne erklæring, er i overensstemmelse med bestemmelserne i

Direktiv: 2006/42/EC, EN 1494:2001+A1:2008

Fin: ÖVERENSSTEMMELSESERKLÆRING

Me: Gaither Europe BV

Osoite: Rechtzaad 6

4703 RC Roosendaal The Netherlands

vakuutamme yksinomaan omalia vastuullamme, että seuraavat tuotteet, joihin tämä vakuutus liittyy, ovat seuraavien direktiivien vaatimusten mukaisia: 2006/42/EC, EN 1494:2001+A1:2008

GB: DECLARATION OF CONFORMITY Gaither

We: Europe BV

Address: Rechtzaad 6

4703 RC Roosendaal The Netherlands

declare under our sole responsibility that the following products to which this declaration relates conform with the provisions of Directives: 2006/42/EC, EN 1494:2001+A1:2008

D: KONFORMITÄTSEKLRÄRUNG

Wir: Gaither Europe BV

Anschrift: Rechtzaad 6

4703 RC Roosendaal The Netherlands

erklären auf eigene Verantwortung, daß folgende Produkte, auf die sich diese Erklärung bezieht, mit den Bedingungen der Direktiven: 2006/42/EC, EN 1494:2001+A1:2008



Typ, tyyppi, type, type, type, Typ, type, tipo, type, tipo, tipo: GT 6033

Ralph Dubbeldam
Managing Director
Gaither Europe BV, 2016-06-15
Roosendaal The Netherlands

GAITHER NOTES



SMART
TECHNO
GROUP
MARKETING

ABOUT US

Gaither Tool Company, Inc. founded in 1988, is an international organization committed to serving the tire and trucking industry. It invents and manufactures convenient tools and systems needed to service and maintain tires and wheel assemblies.

Gaither Tool Company, Inc. continually invests in research and development to bring to its customers the most effective tools in the business. It strives to improve efficiency and reduce costs for customers all over the world working in truck maintenance shops as well as on-the-road tire service providers. Bandag, Euromaster/Michelin, Bridgestone's First Stop, The United States Armed Forces... just to name a few.

Gaither supplies products to customers in over 100 countries, selling through exclusive and nonexclusive distributors. Gaither Tool Company, Inc. is headquartered in Jacksonville, Illinois, U.S.A. In 1997 it opened a branch office located in Roosendaal, Holland to better serve the European market. In 1999 that office was incorporated in Holland and Gaither Europe BV was started. Gaither's manufacturing plant and warehousing for International distribution is located in Taichung, Taiwan.

With a strategically placed location in both The United States and The Netherlands, we are able to serve the global industry



CONTACT US
gaithertool.com

GAITHER EUROPE BV
THE NETHERLANDS

Rechtzaad 6
4703 RC Roosendaal (Holland)

t +31 (0) 165 554475

f +31 (0) 165 391819

e evd@gaithereurope.com



CHANGING THE WAY THE WORLD SERVICES YOUR TIRES