

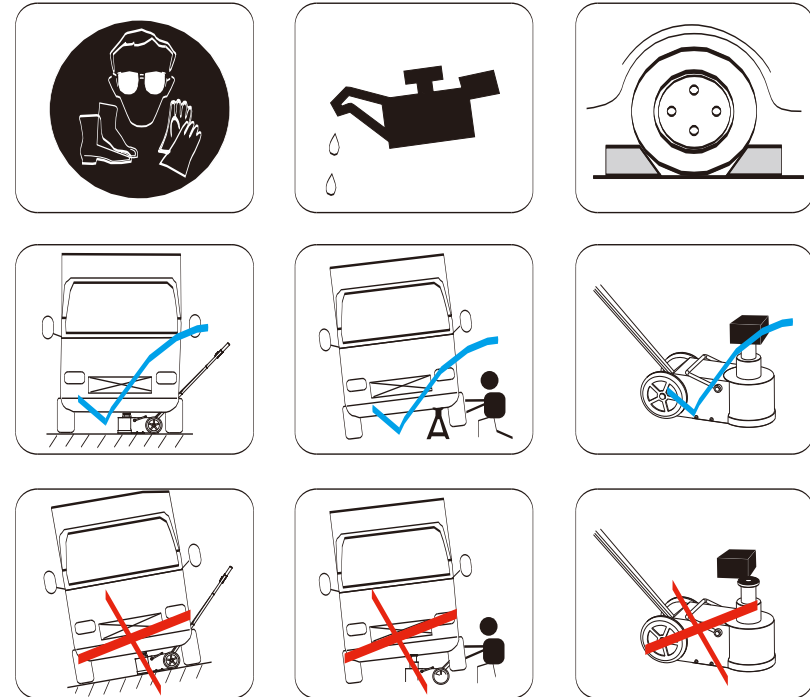


Air Telescopic Service Jack

Operation Manual



WARNINGS



Technical Data

MODEL	CAPACITY	WORKING PRESSURE	MIN HEIGHT	MAX HEIGHT	LIFTING HEIGHT	EXTENSION
GT4033	40t/22t/10t	9-12bar/130-175psi	125mm	407mm	151mm	75mm/45mm/11mm

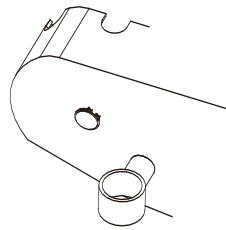
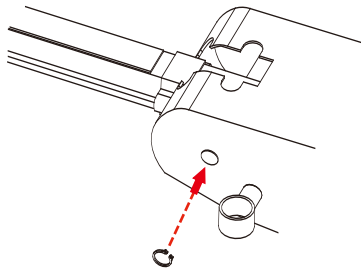
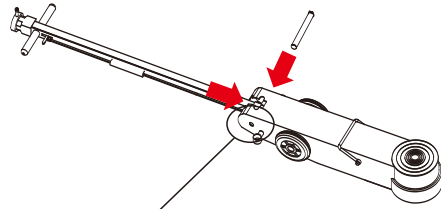
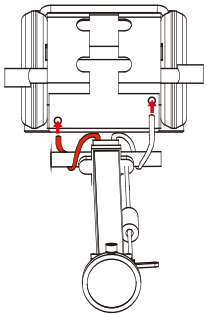
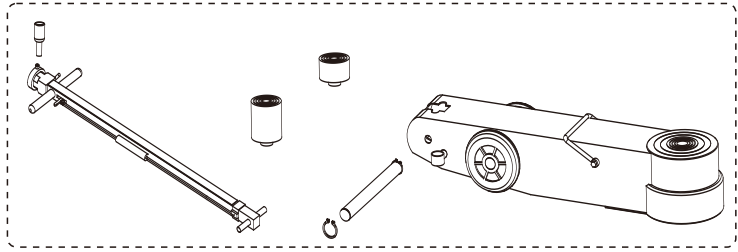
Gaither Europe BV
 Rechtsaad 6
 4703 RC Roosendaal
 The Netherlands
 Website: www.winntec.net
 e-mail: info@winntec.net

Gaither Tool Company Inc.
 21 Harold Cox Dr.
 Jacksonville, Illinois 62650
 USA
 Website: www.gaithertool.com
 E-Mail: sales@gaithertool.com

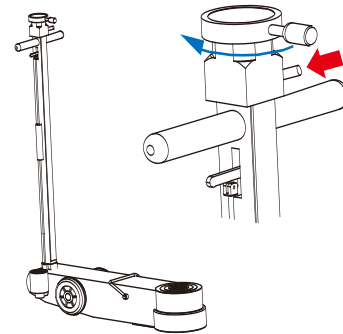
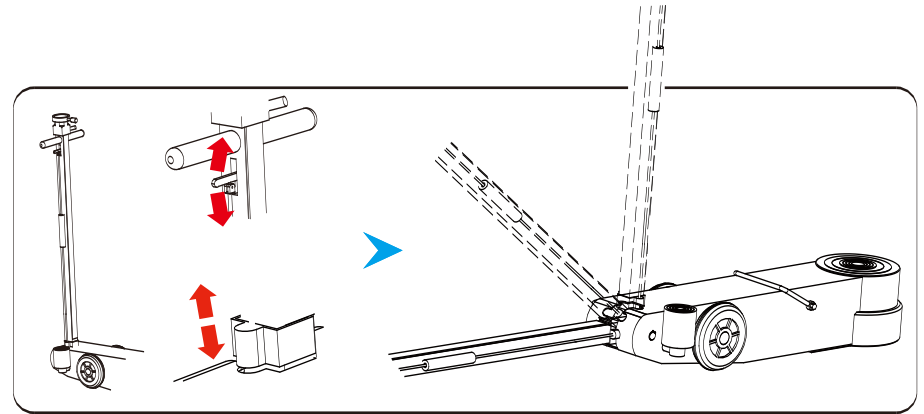
Warranty terms (with a minimum of 12 months), service availability, and service response times may vary from country or region to country or region.



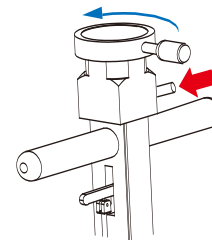
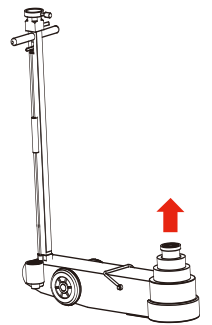
Assembly



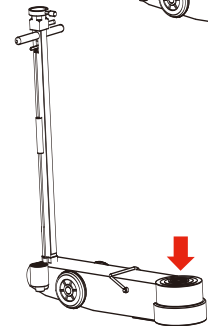
Usage

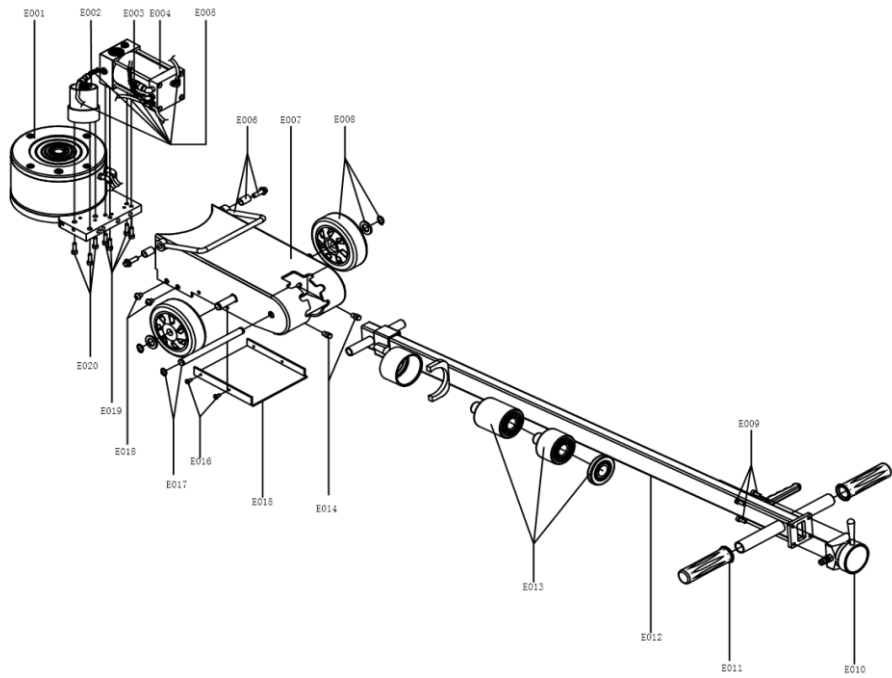


9-12bar/130-175psi

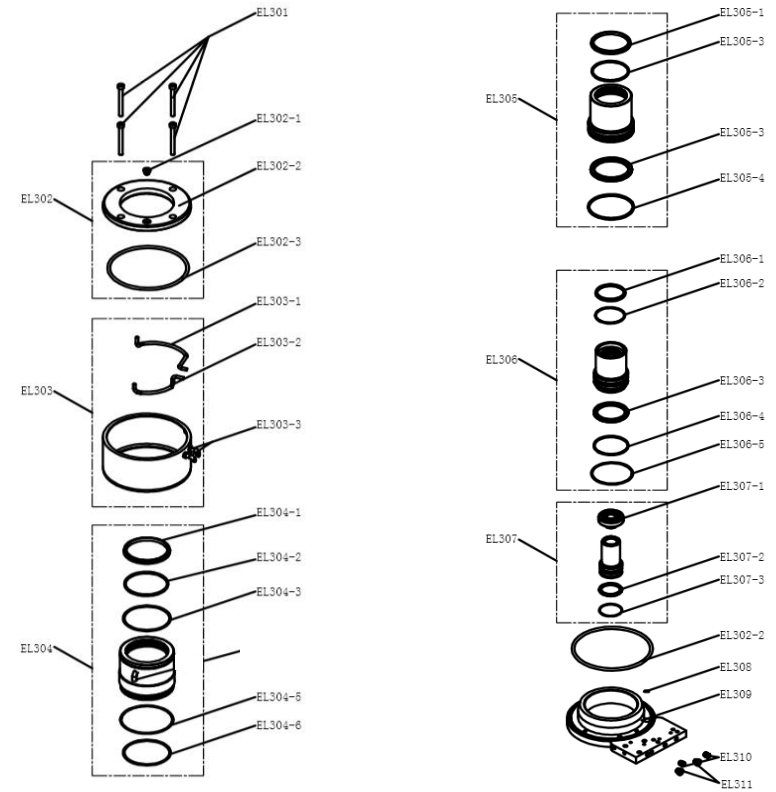


9-12bar/130-175psi

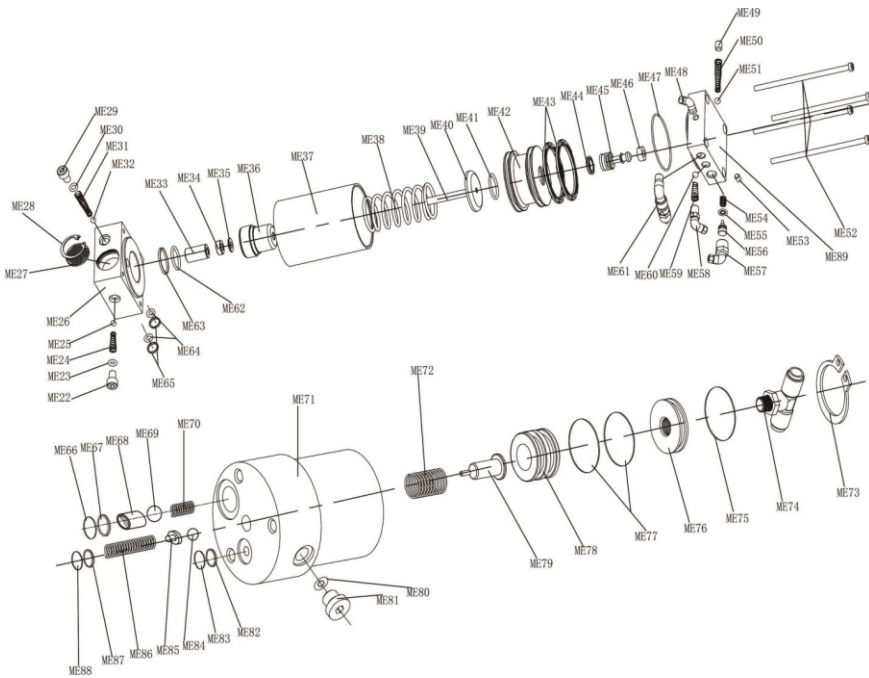




Part No.	Art no.	Description
E001	Z30051	oil cylinder assy
E002	Z14001	oil drain valve assy
E003	L20006	tie in
E004	Z10009	pump assy
E005	L20026	hose
E006	Z40002	handle sets
E007	Z20056	housing
E008	L06037	wheel sets
E009	L03010013	screw
E010	Z50002	switch assy
E011	L06017	handle grip
E012	Z81005	handle
E013	/	adaptor sets
E014	L04011	tie in
E015	L07195	protecting board
E016	L03010012	screw
E017	L0100004	axle
E018	L03010033	screw
E019	L03010025	screw
E020	L03010038	screw



Part No.	Art no.	Description	Part No.	Art no.	Description
EL301	L03010075	screw sets	EL305-2	L02040039	seals
EL302	/	oil tank cover sets	EL305-3	L02060001	seals
EL302-1	L03010003	screw	EL305-4	L02040055	seals
EL302-2	L013E04006	oil tank cover	EL306	Z32051	inner sleeve assy
EL302-3	L02010016	O ring	EL306-1	L02050008	seals
EL303	/	Oil ring assy	EL306-2	L02040026	seals
EL303-1	L20076	hose	EL306-3	L02060015	seals
EL303-2	L20075	hose	EL306-4	L02040044	seals
EL303-3	L04012	oil tank	EL306-5	L05010016	seals
EL304	Z33041	outer sleeve assy	EL307	Z31043	piston assy
EL304-1	L020500017	seals	EL307-1	L013E04012	top cover
EL304-2	L02040057	seals	EL307-2	L02060009	seals
EL304-3	L02010005	seals	EL307-3	L02040030	seals
EL304-5	L02020004	seals	EL308	L20051	seals
EL304-6	L02010004	seals	EL309	L13E04007	base
EL305	Z32050	outer sleeve assy	EL310	L03010039	screw
EL305-1	L02050014	seals	EL311	L0301004	screw



NO.:	Description	NO.:	Description	NO.:	Description
ME22	Screw Nut	ME45	Piston	ME68	Steel Ball Bulkhead
ME23	O Ring	ME46	Rubber Cap	ME69	Steel Ball
ME24	Spring	ME47	O Ring	ME70	Spring
ME25	Steel Ball	ME48	Tie In	ME71	Oil Drain Valve
ME26	Check Valve	ME49	Screw Nut	ME72	Spring
ME27	Silencer Piece	ME50	Spring	ME73	Clamp
ME28	Clamp	ME51	Rubber Ball	ME74	Tie In
ME29	Screw Nut	ME52	Screw	ME75	O ring
ME30	O Ring	ME53	Screw Nut	ME76	End Cover
ME31	Spring	ME54	Spring	ME77	O ring
ME32	Steel Ball	ME55	O Ring	ME78	Oil Drain Piston
ME33	Guide Bushing	ME56	Piston	ME79	Oil Drain Bolt
ME34	Spacer	ME57	Tie In	ME80	O ring
ME35	B3	ME58	Tie In	ME81	Screw Nut
ME36	Plunger Bushing	ME59	Spring	ME82	Locking Ring
ME37	Air Cylinder	ME60	Rubber Ball	ME83	O ring
ME38	Spring	ME61	Tie In	ME84	Steel Ball
ME39	Plunger Rod	ME62	O Ring	ME85	Screw Nut
ME40	Plunger Cover	ME63	Locking Ring	ME86	Spring
ME41	O Ring	ME64	O Ring	ME87	Locking Ring
ME42	Piston	ME65	Locking Ring	ME88	O ring
ME43	PK Sealing	ME66	O Ring	ME89	Air Inlet Base
ME44	OE Sealing	ME67	Locking Ring		

F
DECLARATION OF CONFORMITÉ

Nous, **Gaither Europe BV**
 Adresse : Rechtzaad 6
 4703 RC Roosendaal – The Netherlands
 déclarons sous notre seule responsabilité que les produits auxquels se réfère cette déclaration sont conformes aux dispositions des Directives : 2006/42/CE, EN 1494

NL
VERKLARING VAN OVEREENKOMST

Wij, **Gaither Europe BV**
 Adres: Rechtzaad 6
 4703 RC Roosendaal – The Netherlands
 verklaren geheel onder eigen verantwoordelijkheid dat de volgende producten, waarop deze verklaring betrekking heeft, in overeenstemming zijn met de bepalingen van Richtlijn: 2006/42/CE, EN 1494

I
DICHIARAZIONE DI CONFORMITÀ

Noi, **Gaither Europe BV**
 Indirizzo: Rechtzaad 6
 4703 RC Roosendaal – The Netherlands
 dichiariamo sotto la nostra esclusiva responsabilità che i prodotti ai quali questa dichiarazione si riferisce sono conformi a quanto previsto dalle direttive: 2006/42/CE, EN 1494

E
DECLARACIÓN DE CONFORMIDAD

Gaither Europe BV
 Dirección: Rechtzaad 6
 4703 RC Roosendaal – The Netherlands
 declaramos bajo nuestra exclusiva responsabilidad la conformidad de los productos a los que refiere esta declaración, con las disposiciones de Directiva : 2006/42/CE, EN 1494

P
DECLARAÇÃO DE CONFORMIDADE

Nós, **Gaither Europe BV**
 Endereço: Rechtzaad 6
 4703 RC Roosendaal – The Netherlands
 declaramos, sob nossa única responsabilidade, que os seguintes produtos, incluídos nesta declaração estão em conformidade com o disposto na Directiva : 2006/42/CE, EN 1494

SE
FÖRSÄKRAN OM ÖVERENSSTÄMMELSE

Vi, **Gaither Europe BV**
 Adress: Rechtzaad 6
 4703 RC Roosendaal – The Netherlands
 försäkrar under eget ansvar att följande produkter som omfattas av denna försäkran är i överensstämmelse med villkoren i direktiv: 2006/42/CE, EN 1494

ERKLÆRING OM OVERENSSTEMMELSE

Vi, **Gaither Europe BV**
 Adresse : Rechtzaad 6
 4703 RC Roosendaal – The Netherlands
 erklærer på eget ansvar, at følgende produkter som dekkes av denne erklæringen, er i overensstemmelse med bestemmelsene i Direktiv : 2006/42/CE, EN 1494

DK
ÖVERENSSTEMMELSESERKLÄRING

Vi, **Gaither Europe BV**
 Adresse: Rechtzaad 6
 4703 RC Roosendaal – The Netherlands
 erklærer på eget ansvar et følgende produkter som er omfattet af denne erklæring, er i overensstemmelse med bestemmelserne i Direktiv: 2006/42/CE, EN 1494

FIN
VAATIMUSTENMUKAISUUSVAKUUTUS

Me, **Gaither Europe BV**
 osoite: Rechtzaad 6
 4703 RC Roosendaal – The Netherlands
 vakuutamme yksinomaan omialia vastuullamme, että seuraavat tuotteet, joihin tämä vakuutus liittyy, ovat seuraavien direktiivien vaatimusten mukaisia : 2006/42/CE, EN 1494

GB
DECLARATION OF CONFORMITY

We, **Gaither Europe BV**
 Address: Rechtzaad 6
 4703 RC Roosendaal – The Netherlands
 declare under our sole responsibility that the following products to which this declaration relates conform with the provisions of Directives : 2006/42/CE, EN 1494

D
Wir, **Gaither Europe BV**

Anschriřt : Rechtzaad 6
 4703 RC Roosendaal – The Netherlands
 erklären auf eigene Verantwortung, daß folgende Produkte, auf die sich diese Erklärung bezieht, mit den Bedingungen der Direktiven 2006/42/CE EN 1494 übereinstimmen.



Typ, *tyyppi*, type, *type*, type, *Typ*, type, *tipo*, type, *tipo*, tipo
 GT4033

RA
 Ralph Dubbeldam
 Managing Director
Gaither Europe BV
 Date: 2015-11-01

